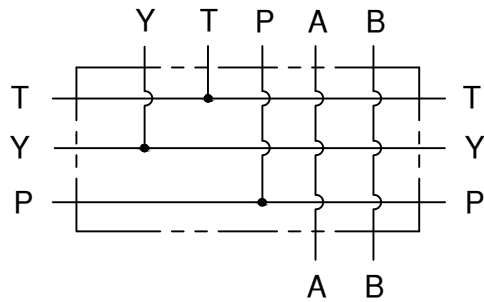


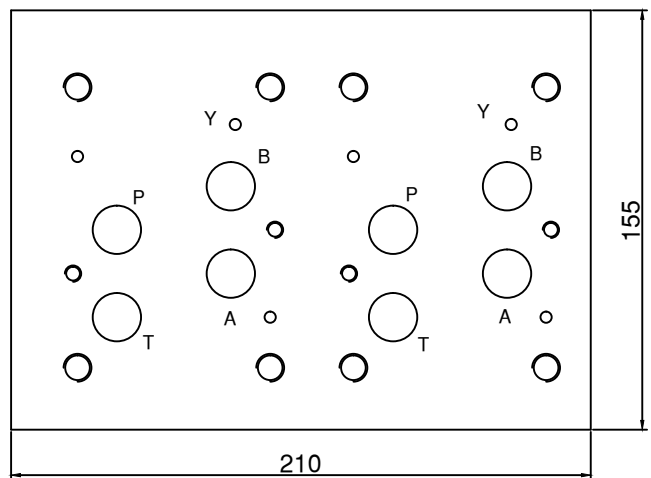
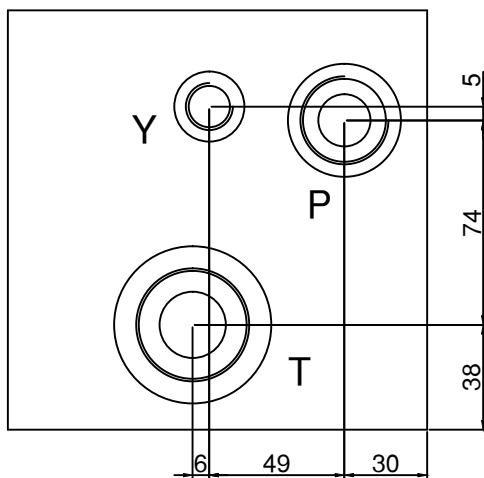
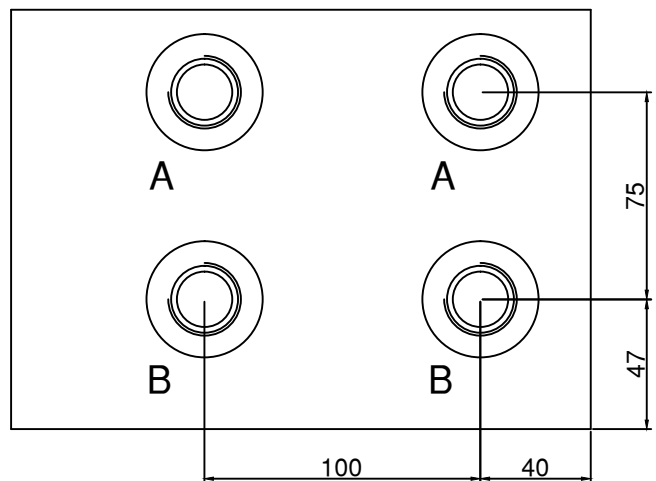
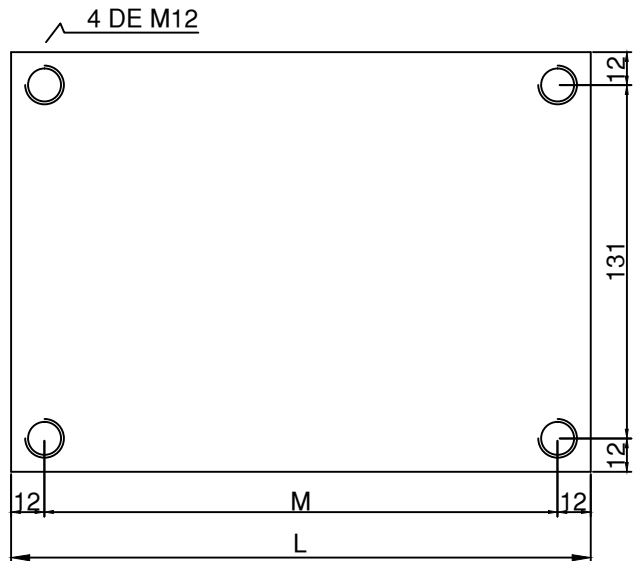


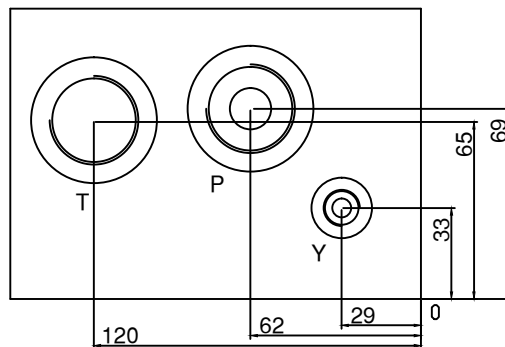
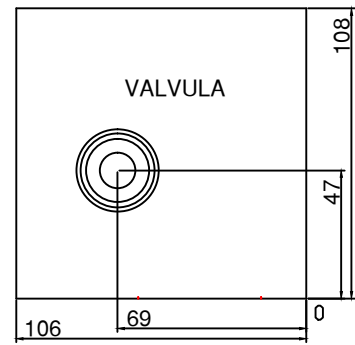
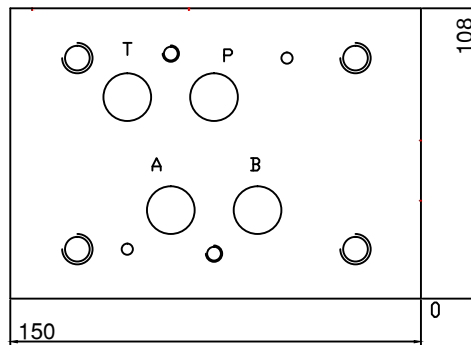
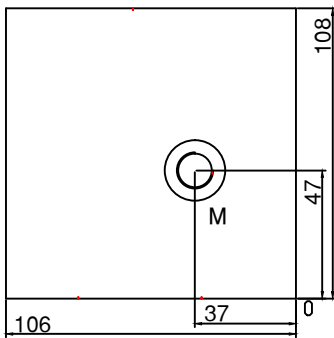
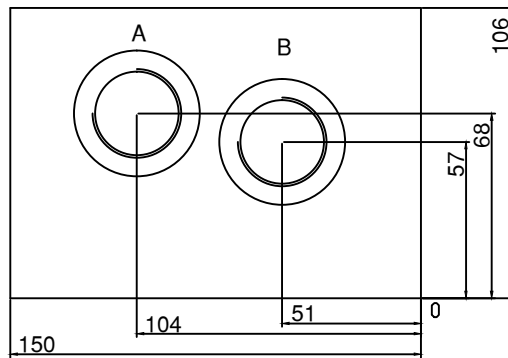
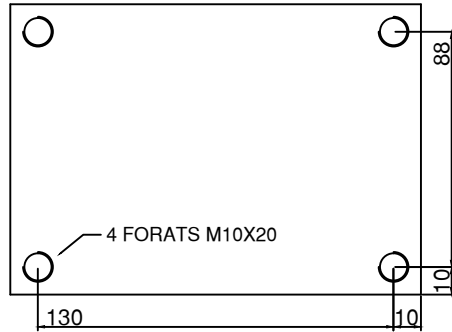
BLOQUE CETOP 7 (NG16) SALIDAS LATERALES
 BLOC CETOP 7 (NG16) SORTIDES LATERALS



P	T	A	B	Y
1"	1 1/4"	3/4"	3/4"	3/8"

REF	Nº EST	M	L
V7L1	1	86	110
V7L2	2	186	210
V7L3	3	286	310
V7L4	4	386	410
V7L5	5	486	510
V7L6	6	586	610



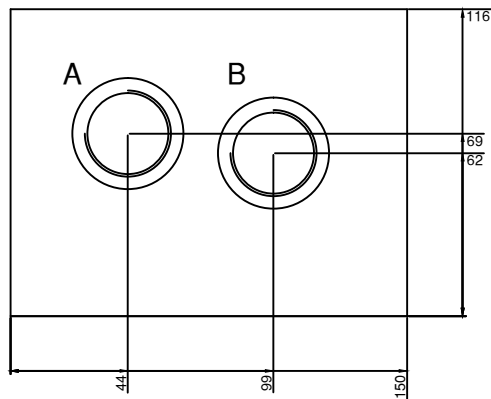
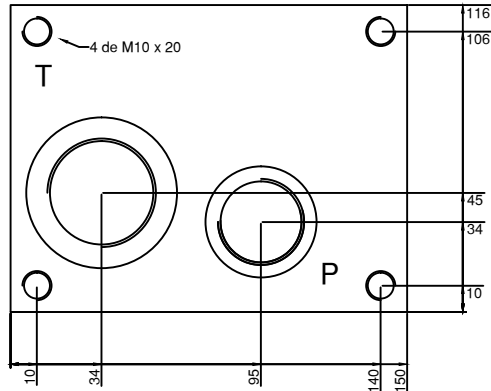
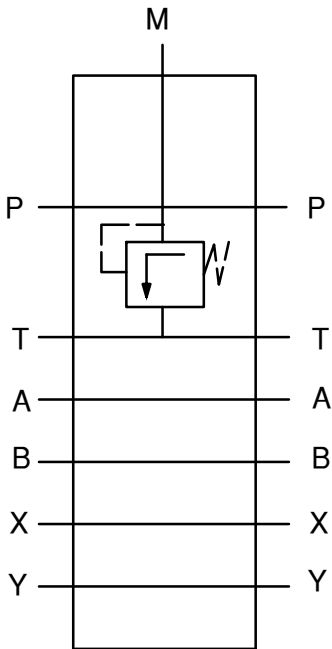


P	T	A	B	M	Y
1"	1"	1"	1"	1/4"	1/4"
MATERIAL					
F114(C45) / GG25					

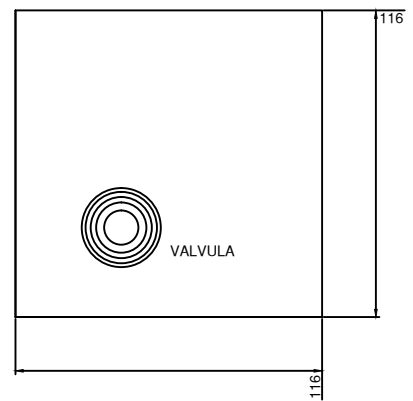
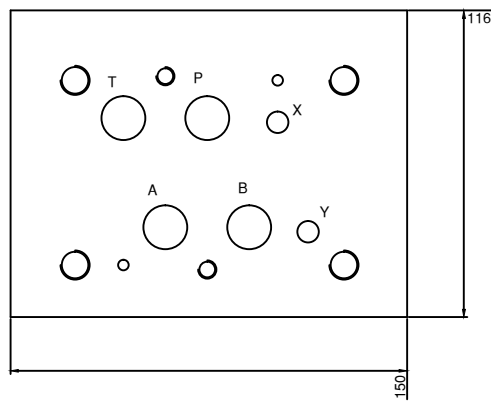
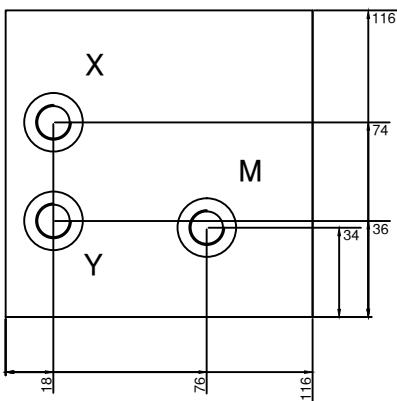


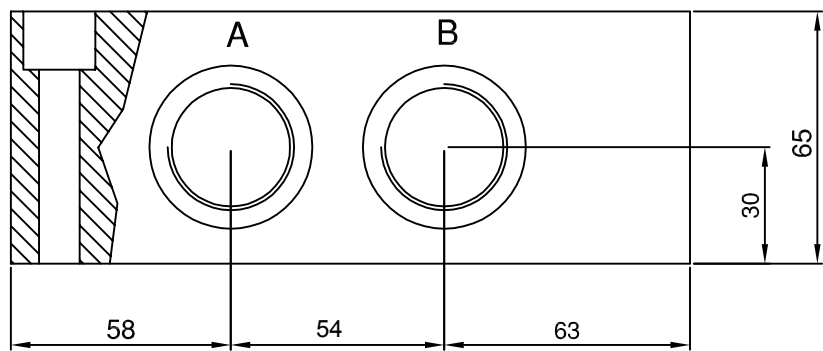
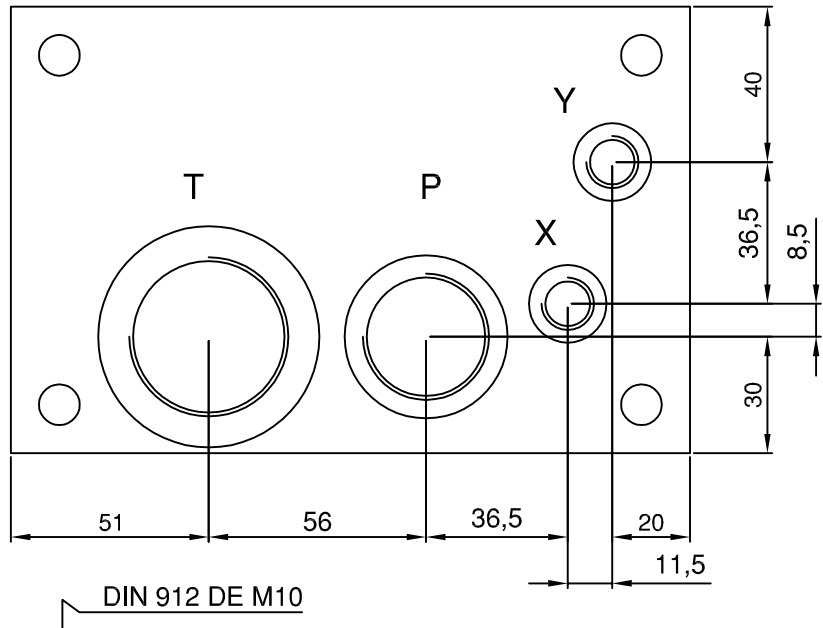
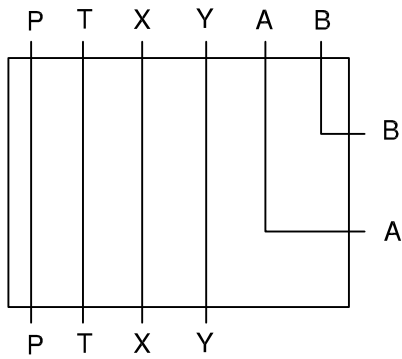
cod. V75L1
 cod. V75L114

P	T	A	B	M	Y	X
1"	1"	1"	1"	1/4"	1/4"	1/4"
ó 1 1/4"						

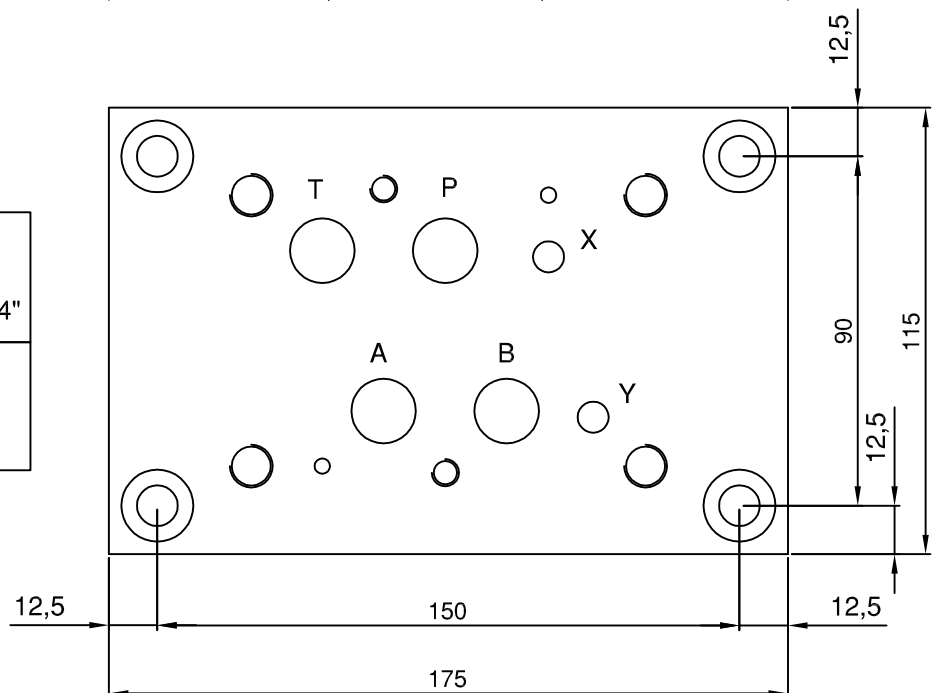


valvula limitadora
* 1.- 112 litres * 2.- 150 litres
Material
GG25 / F114 (C45)





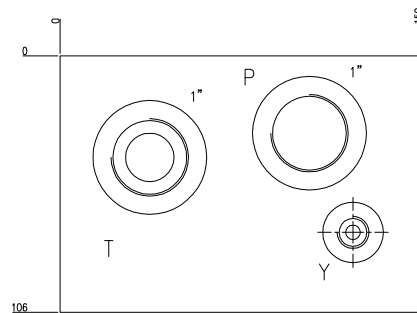
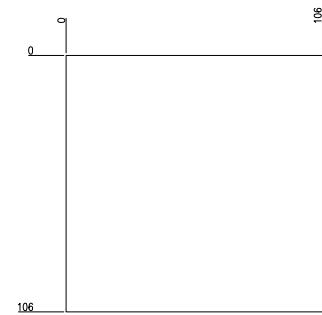
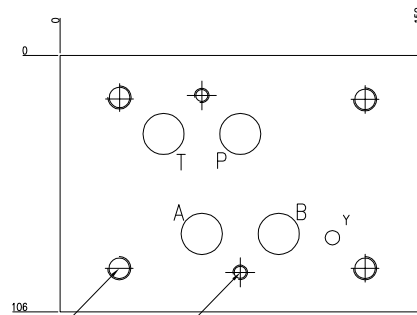
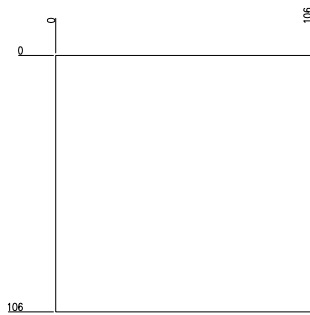
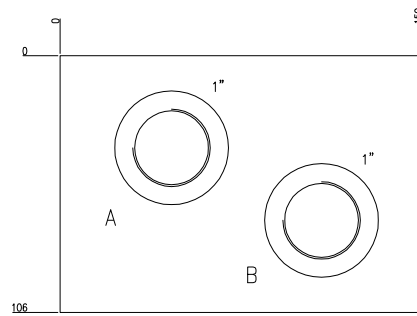
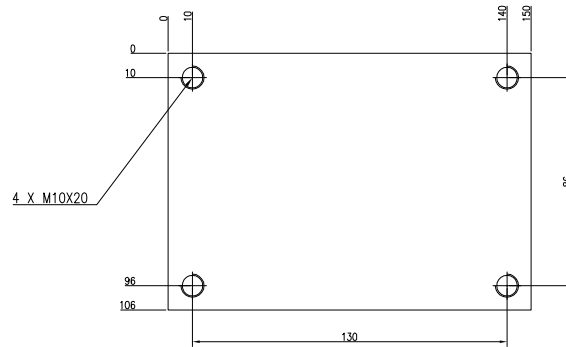
P	T	A	B	X	Y
1"	1 1/4"	1"	1"	1/4"	1/4"
MATERIAL					
GG25 / F114 (C45)					





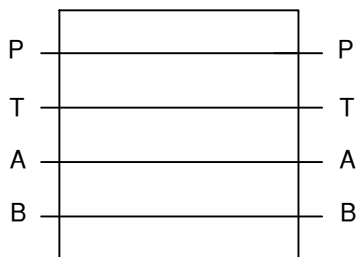
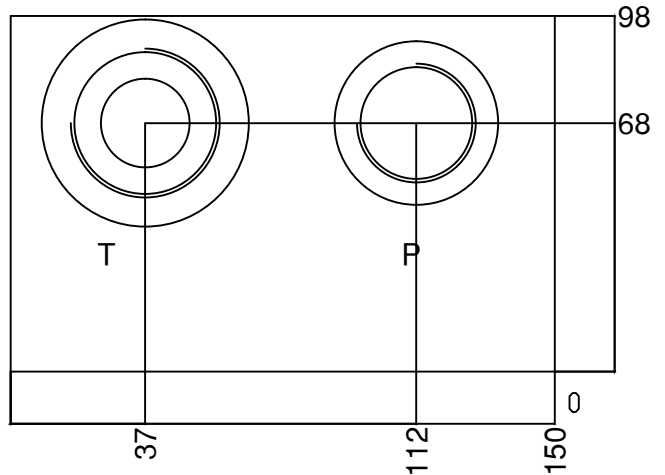
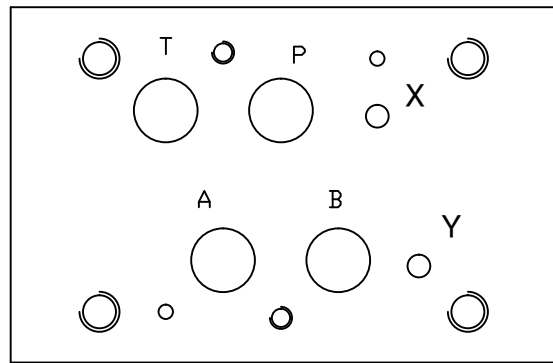
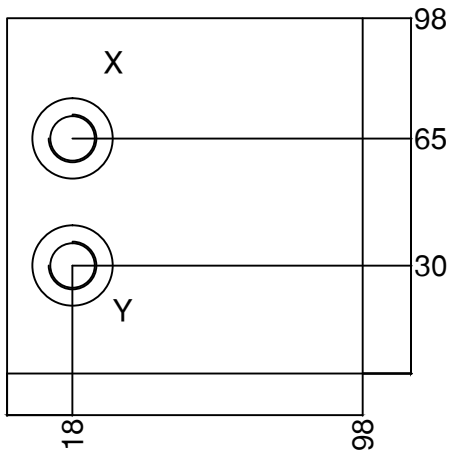
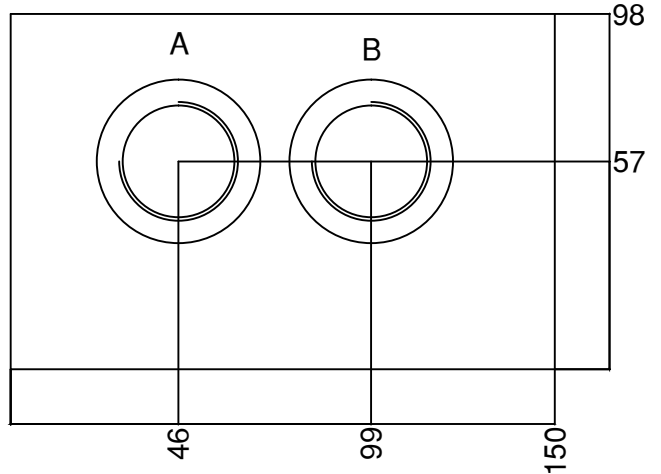
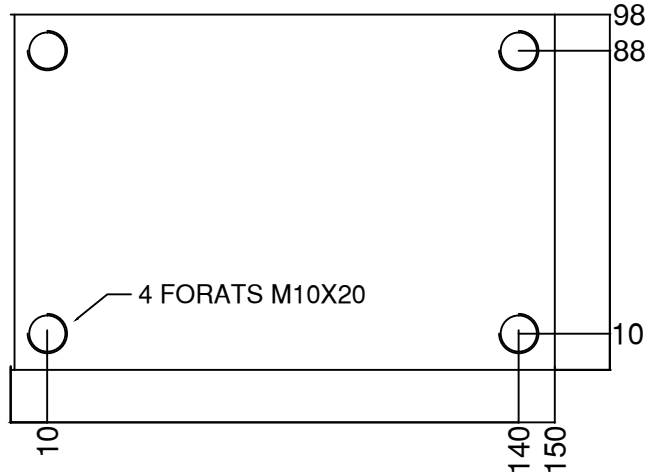
PLACA BASE NG16 SALIDAS LATERALES A 1"

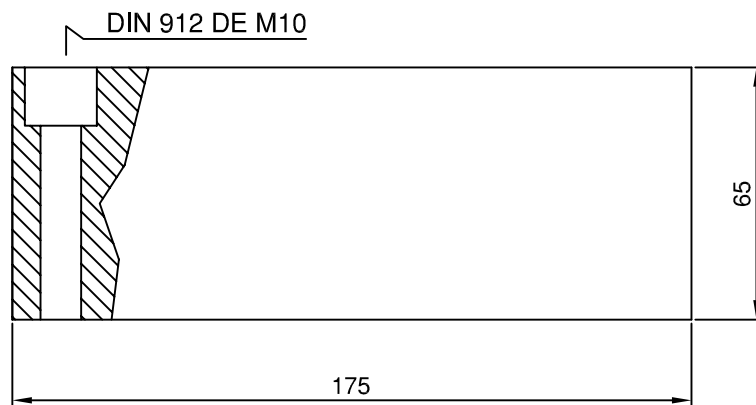
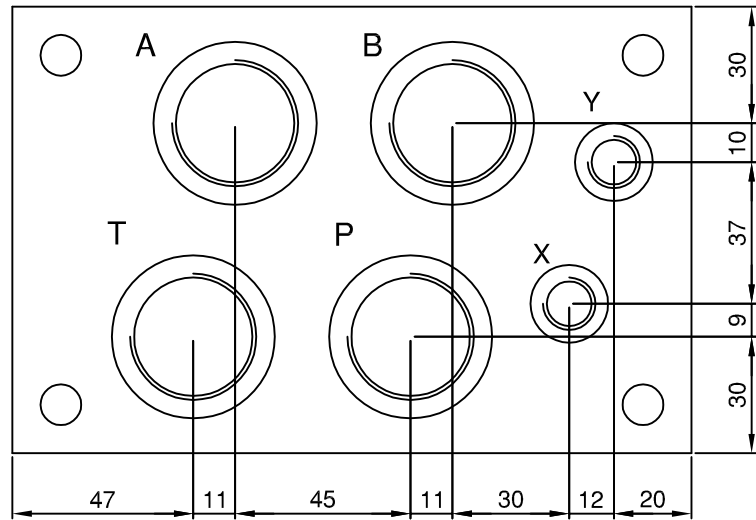
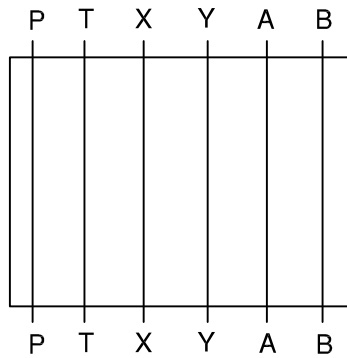
PLACA BASE NG16 SORTIDES LATERALS A 1"



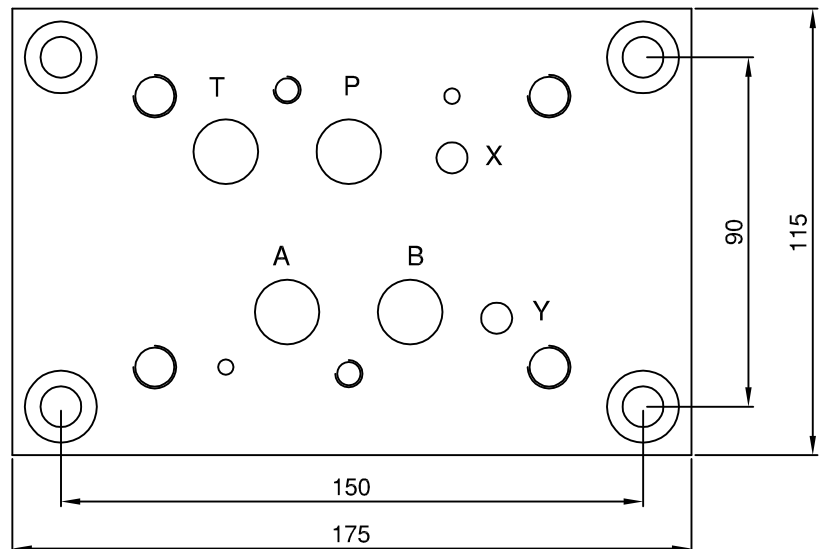


P	T	A	B	X	Y
1"	1 1/4"	1"	1"	1/4"	1/4"
Material					
GG25 REF. V73F					
F114 REF. V73					



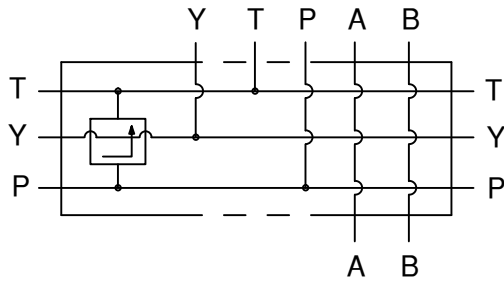


P	T	A	B	X	Y
1"	1"	1"	1"	1/4"	1/4"
MATERIAL ACERO F114 (C45)					





BLOQUE CETOP 7 (NG16) SALIDAS LATERALES -
 BLOC CETOP 7 (NG16) SORTIDES LATERALS -



P	T	A	B	Y
1"	1 1/4"	3/4"	3/4"	3/8"
OPCIONAL		1"	1"	

VALVULA 150 LM / 400 BAR

CODI	Nº EST	M	L
V7L1L	1	116	140
V7L2L	2	186	210
V7L3L	3	286	310
V7L4L	4	386	410
V7L5L	5	486	510
V7L6L	6	586	610

